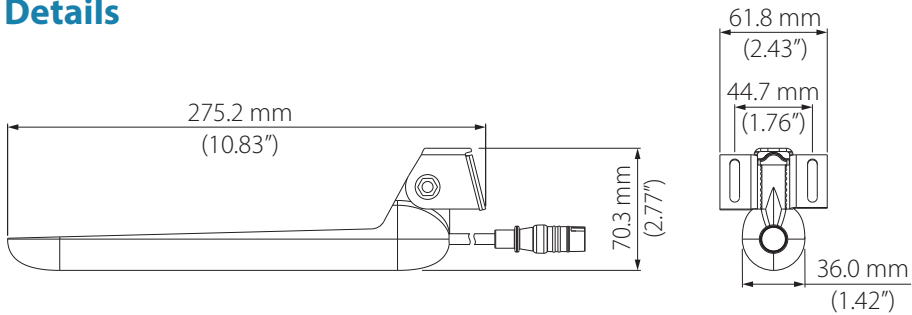


## Details

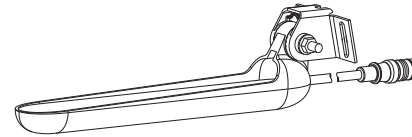


<b>Environmental</b>	
Operating temperature	-15°C to +55°C (+5°F to +131°F)
Storage temperature	-30°C to +70°C (-22°F to +158°F)
<b>Physical</b>	
Weight	0.48 Kg (1.06 lbs)
Cable length	6 m (20 ft)
Mounting options	Transom mounting
Number of pins	8 pins
<b>Sonar</b>	
Output	Depth, SideScan imaging, DownScan imaging and temperature
Frequency	Traditional: 200 kHz/High Chirp DownScan: 455 kHz, 800 kHz SideScan: 455 kHz, 800 kHz
Beam width (@ -3dB)	Traditional: 44° @ 200 kHz/High Chirp DownScan: 55/2.5° @ 455 kHz, 35/1.5° @ 800 kHz SideScan: 55/0.8° @ 455 kHz, 35/0.5° @ 800 kHz
Max depth	Traditional: 152 m (500 ft) @ 200 kHz/High Chirp DownScan: 91 m (300 ft) @ 455 kHz, 46 m (150 ft) @ 800 kHz SideScan: 183 m (600 ft) side-to-side @ 455 kHz, 91 m (300 ft) side-to-side @ 800 kHz
Max speed	57 knots (55 mph)

# LOWRANCE®

## TRIPLESHOT TRANSDUCER

### INSTALLATION GUIDE



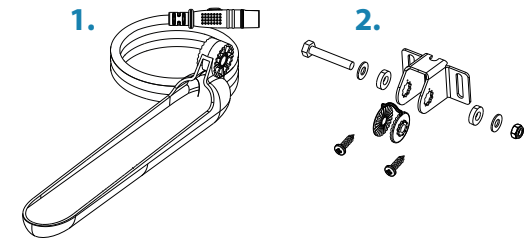
For product manuals, technical specifications, certificates and declarations refer to the product website:

[www.lowrance.com](http://www.lowrance.com)

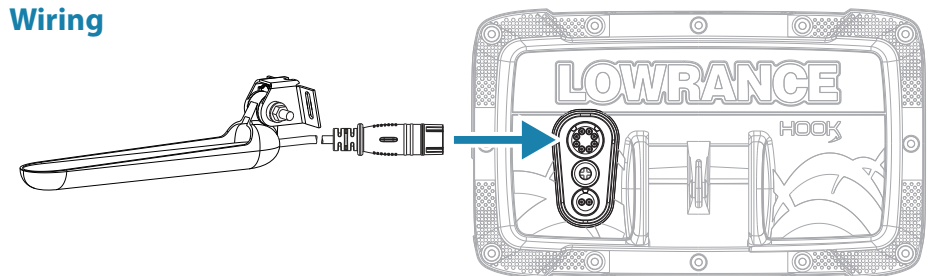


### Parts included

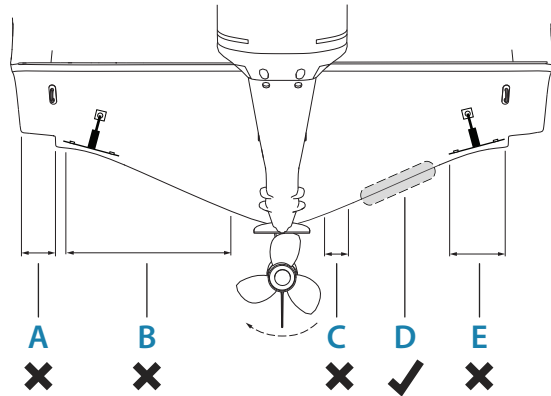
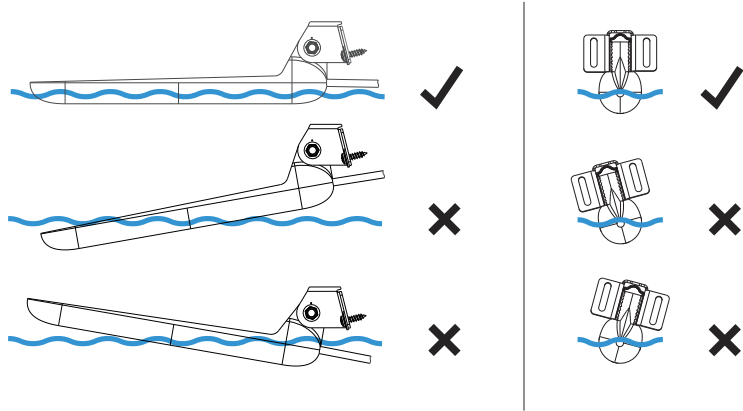
1. Transducer with cable
2. Transom mounting kit
  - 1x bolt and locking nut
  - 2x metal washers
  - 2x rubber washers
  - 1x bracket and ratchet
  - 2x self-tapping screws (10x1-1/4)



### Wiring



## Mounting guidelines

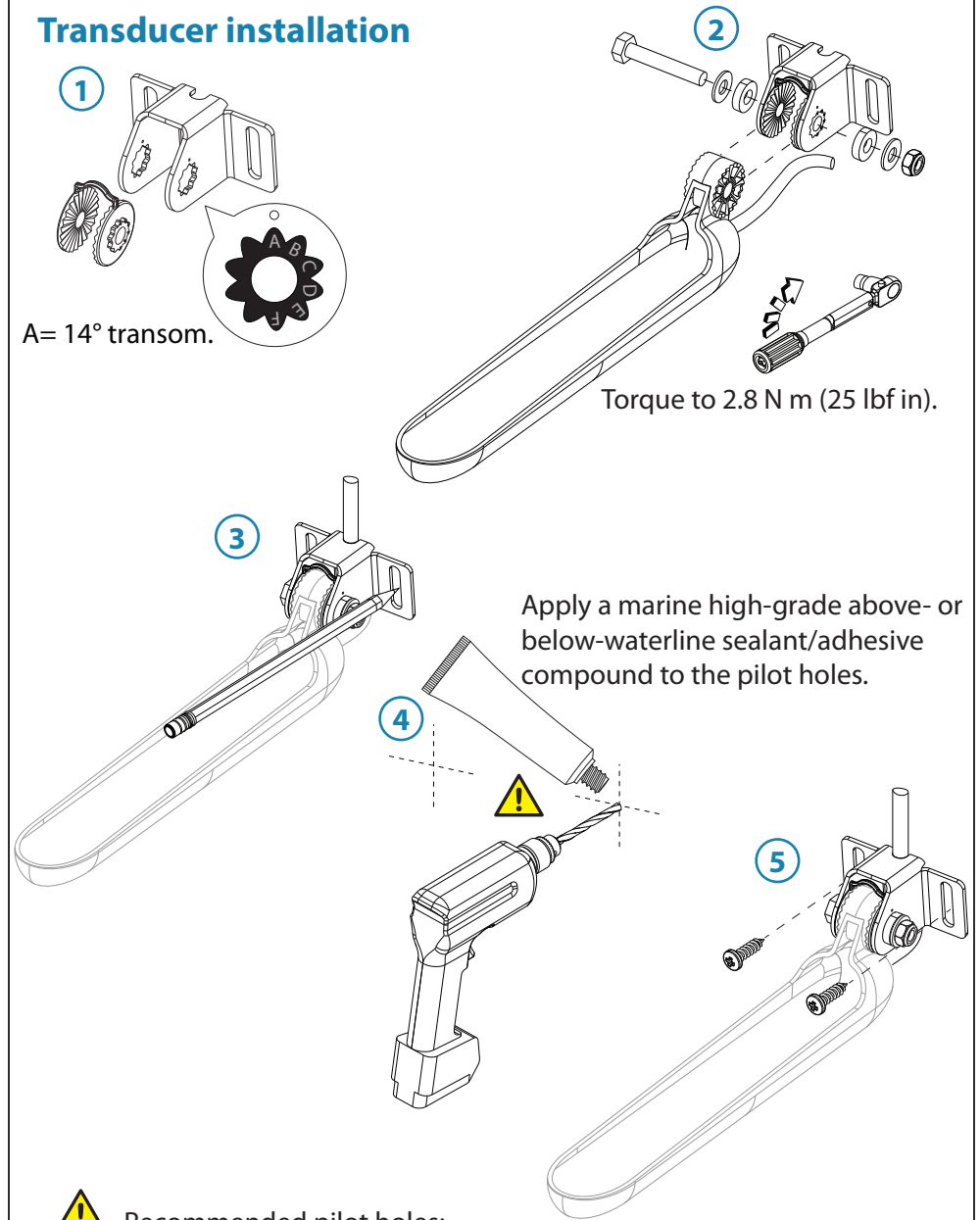


- A.** Planing strake - avoid mounting
- B.** Avoid mounting within 1 m (3.3') to port (left) of propeller
- C.** Avoid mounting within 7.5 cm (3") to starboard of propeller
- D.** Best mounting location - undisturbed water flow
- E.** Trim tabs can cause turbulence - avoid mounting

**Note:** Example above describes a conventional clockwise propeller rotation configuration. Mirror the example if your boat has a counterclockwise propeller rotation configuration.

**Note:** If the transducer is not placed in a smooth flow of water, interference caused by bubbles and turbulence may show on screen in the form of random lines or dots. The unit could also lose bottom signal when the boat is on plane. The sonar will not work while the transducer is out of the water.

## Transducer installation



Material	10# screw
Soft materials e.g. Plywood	Ø 3.7-4.0 mm (5/32")
Hard materials e.g. Fiberglass, Acrylic, Hardwoods	Ø 4.2-4.7 mm (3/16")